

Horizontal Wind Turbine Catalogue

Model: 5KW Horizontal axis wind turbine On-grid | Off-grd system

Overview

GREEF GH-5KW wind generator is the conversion of wind energy into mechanical energy first and electric energy afterwards. This equipment can fully make use of wind power to recharge a battery, and also can saved energy into ac source alternating current. Without the necessity of fuel, the GH-5KW wind generator is pollution free and far away from noise. The GH-5KW wind generator is generally applicable to the area which has good condition but is far away from the power grid, or the power grid is not normal. The GH-5KW generator can supply lighting, the television set, the searchlight, the communication equipment, the power tool and other household appliances.



Recommended for:

- Household,Garden,Farm,Urban ,Rooftop
- Telecom sites.
- Rural electrification programs. Island , sentry, island, sight lighting
- Automatic speed reduction protection

Technical specification

Model	GH-5KW
--------------	---------------

Performance

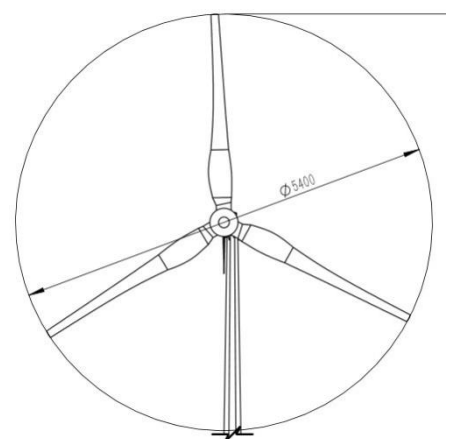
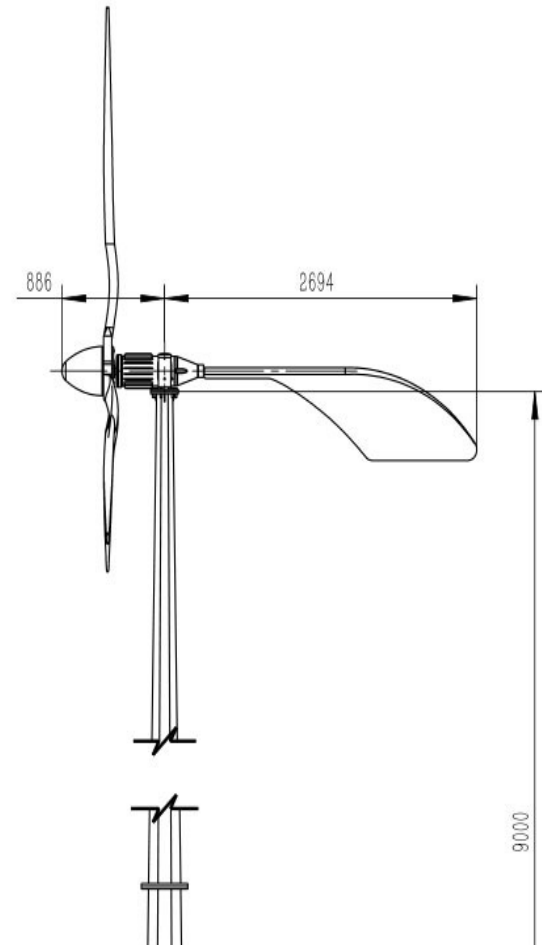
Rated Power	5000W
Start Wind Speed	3m/s(6.72mph)
Rated Wind Speed	10m/s(22.4mph)
Working Wind Speed	4-25m/s(8.96-56 mph)
Safety Wind Speed	50m/s(112mph)

Physical Parameters

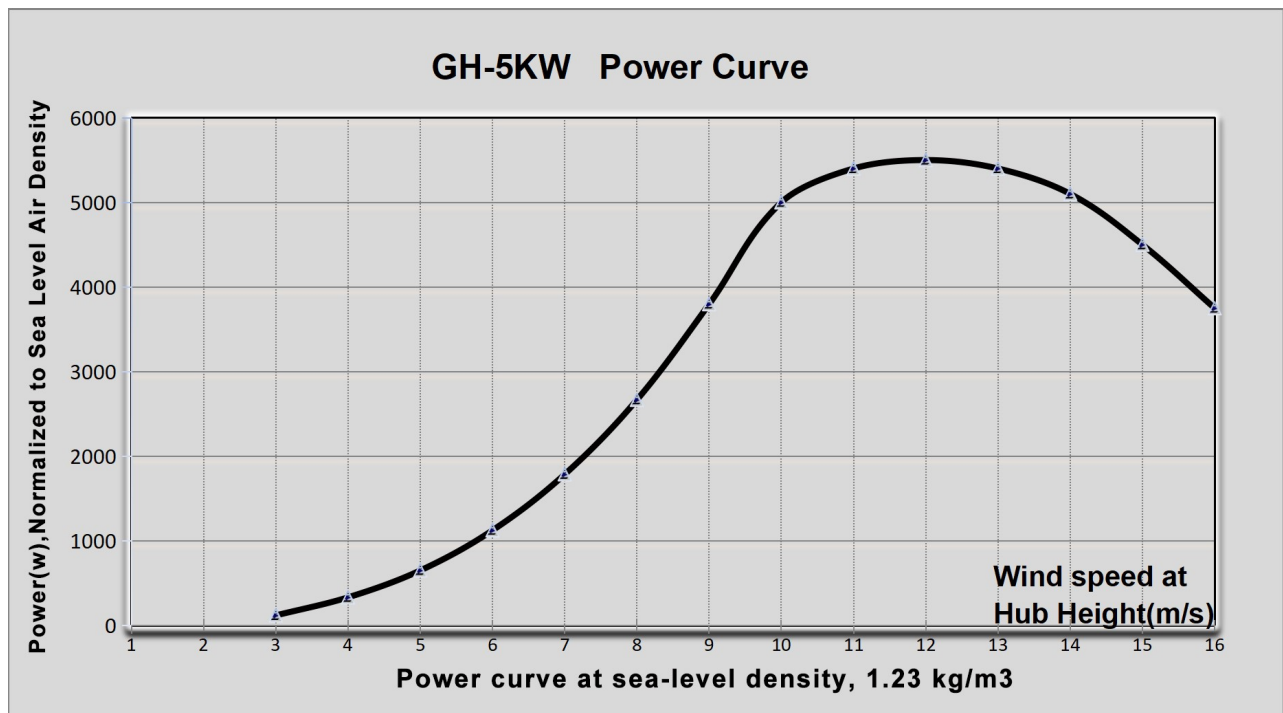
Blades Rotor Diameter	5.4M(17.7ft)
Blades Material &Quantity	FRP /3PCS
Top Weight	180kg
Tower Height	8m(26.24ft.) Guy Wire Tower

Generator Parameters

Generator Type	Permanent Magnet Generator
Rated Speed	250RPM
Option Voltage	24-220VAC
Protection Method	Electromagnetic Brake +PWM
Protection Grade	IP54
Working Temperature	-40-50 °C



Power Curve

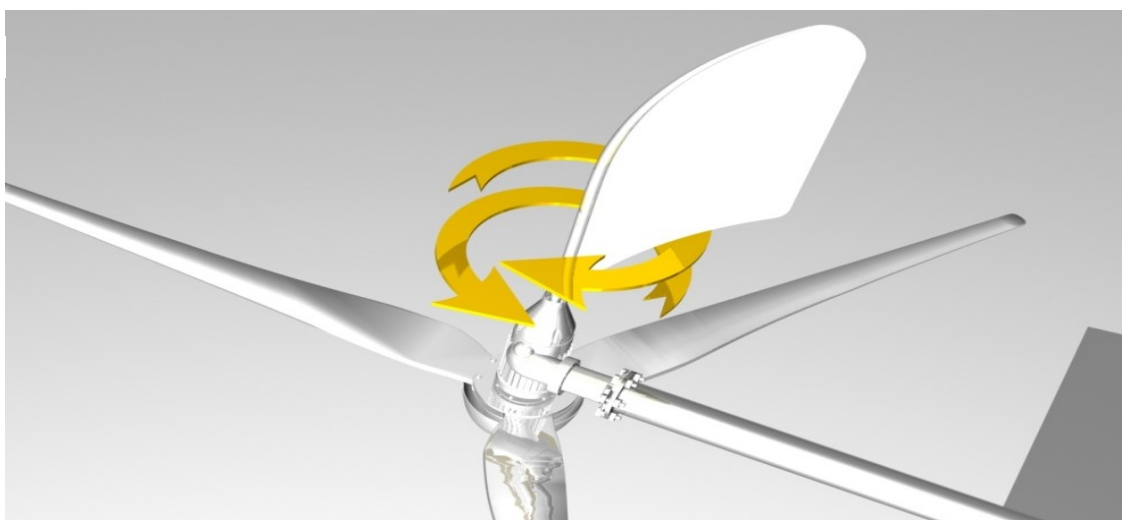


Annual Energy Production

Model	Annual Wind Speed (m/s)	3	4	5	6	7
GH-5KW	Production (kWH)	946	2628	5133	8870	14086

This data will have $\pm 10\%$ difference according to real condition.

Automatic Speed Reduction Protection









Pictures

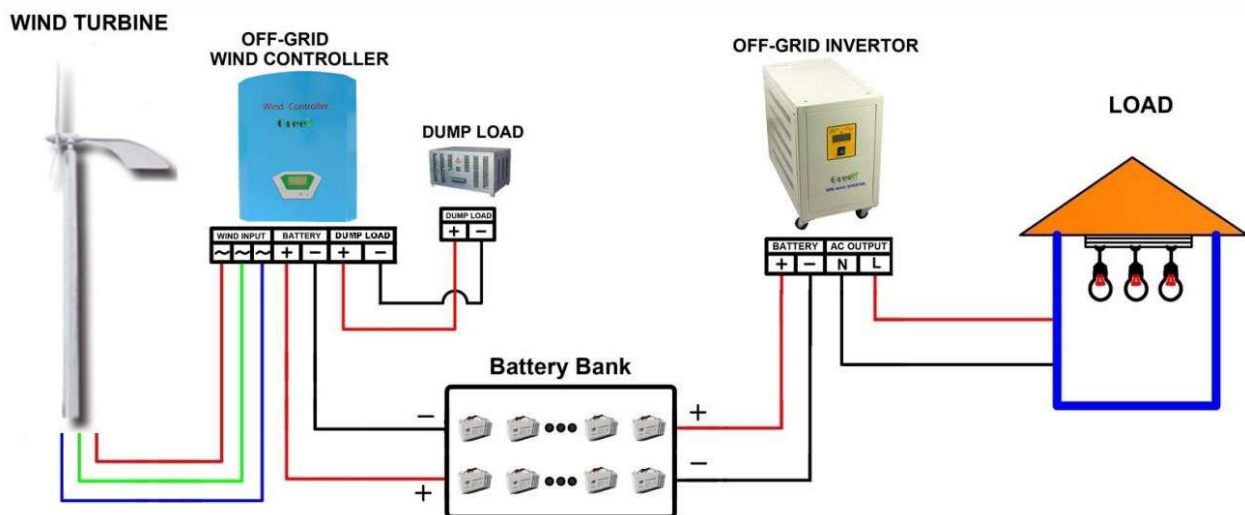


Optional Tower Type

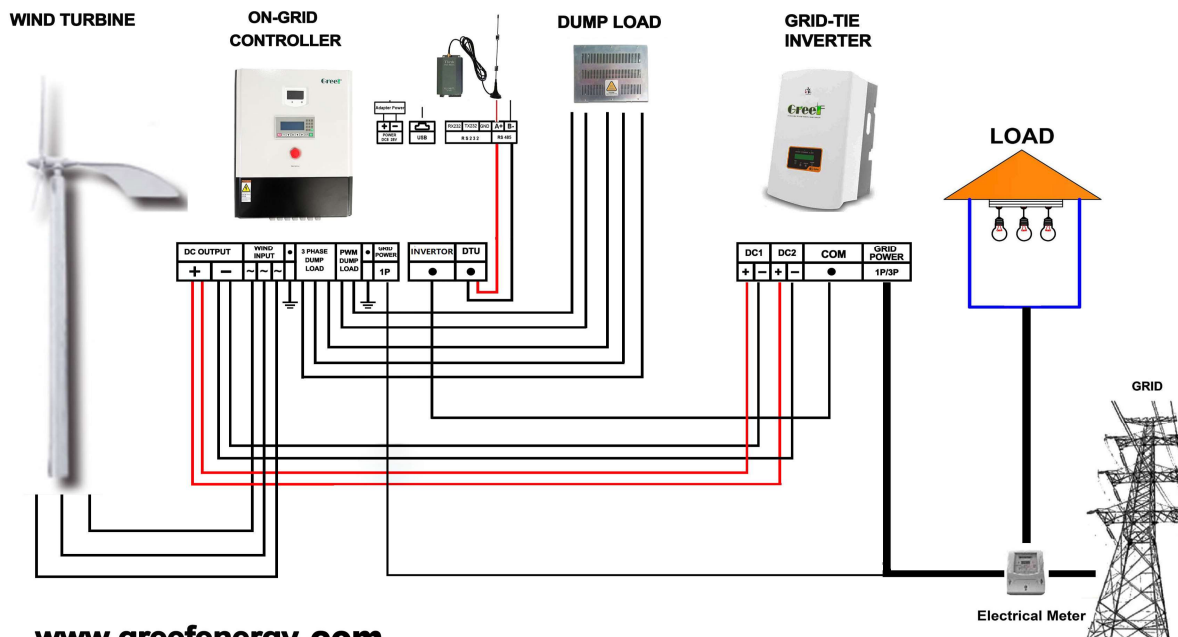
 <p>Free Stand Tower</p>	 <p>Free Folding Tower</p>	 <p>Hydraulic Tower</p>	 <p>Guy Wire Tower</p>
<p>Cost : Middle Package size:Middle Installation need crane, Small floor space</p>	<p>Cost :Second high Package size:Small Installation very easy no need crane, need small area</p>	<p>Cost : Highest Package size:Bigger Installation easy no need crane, need small area</p>	<p>Cost : Lowest Package size:Smallest Installation need biggest area</p>

System solution Diagram

OFF-GRID WIND POWER GENERATOR SYSTEM



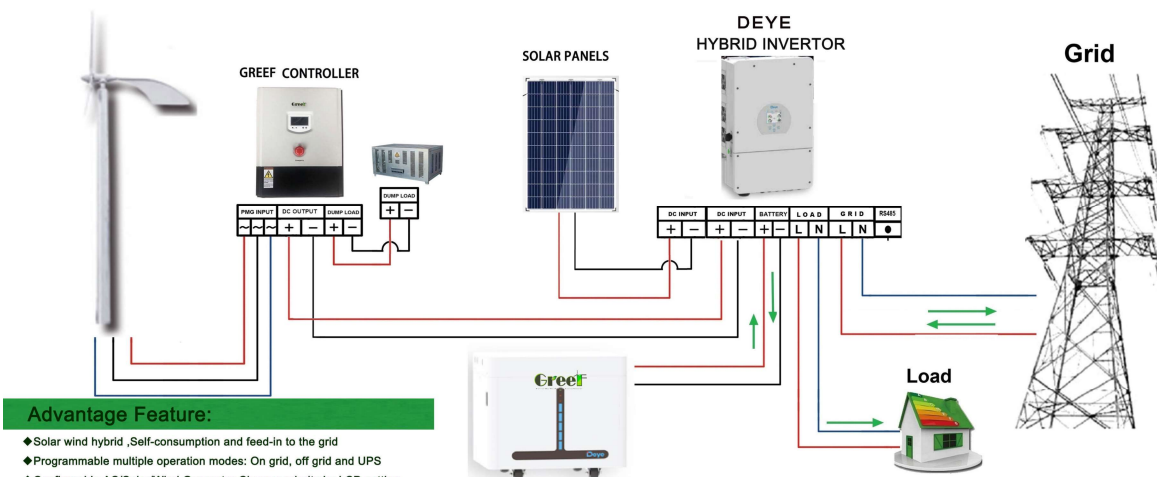
GREEF GRID TIED SYSTEM WIRING DIAGRAM



www.greefenergy.com

GREEF HYBRID SYSTEM SOLUTION

GREEF WIND TURBINE



Advantage Feature:

- ◆ Solar wind hybrid ,Self-consumption and feed-in to the grid
- ◆ Programmable multiple operation modes: On grid, off grid and UPS
- ◆ Configurable AC/Solar/Wind Generator Charger priority by LCD setting
- ◆ Compatible with Grid or generator power
- ◆ With limit function, prevent excess power overflow to the grid
- ◆ Smart settable three stages MPPT charging for optimized battery performance
- ◆ Time of use & Smart Load function

48V BATTERY BANK

GREEF NEW ENERGY
www.greefenergy.com

Why Choose GREEF ?

★Bureau ,SGS,TUV, Intertek verified Gold Plus Supplier



★Top 3 suppliers of generators products with all 5 star feedback on alibaba.com

★13 years'experience engineer&QC team



★7days*24hours on time service.

★3 years guarantee service, focus on after-sale service



★One stop customized system solution

★Trade experience with more than 60 countries



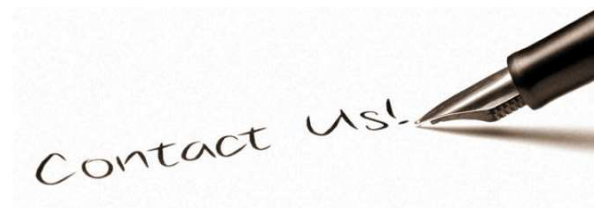
★CE ,RoHS certificated

★OEM,ODEM are accepted



★Support safe payment through Alibaba trade assurance ,

★Products quality and on time delivery are guaranteed by alibaba.com



Ms Christina Lei

CSO

Mob: +86-15166057722

E-mail: sales@greefenergy.com

QINGDAO GREEF NEW ENERGY EQUIPMENT CO.,LTD

Add: No.6 Changchengnan Road, Chengyang, Qingdao, China

Tel: 0086-532-67731422-802 FAX: 0086-532-67731422-808